


# PRODUCT SHEET

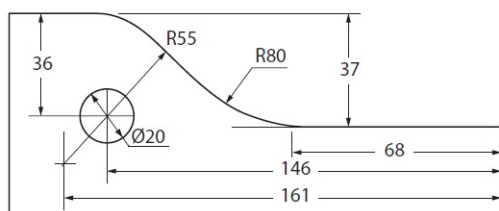
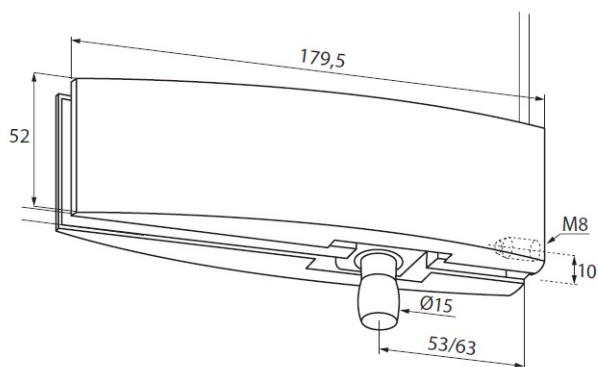
## Description:

Overpanel Fitting "Lex" 52x179,5mm, Brushed SS-304 Cover,10- 12mm, Glass, w/2pcs. 1mm & 2 pcs. 2mm Gaskets(Not Glued)

## Item number:

17.87.325-0

Units	Box	Carton	HS Code	Barcode
Pcs.		20	8302415000	
				5704866453028



## SISO A/S

Mileparken 11  
DK-2740 Skovlunde  
Denmark  
VAT: DK 24786013

Phone +45 45 830 900

[www.siso.dk](http://www.siso.dk)  
[siso@siso.dk](mailto:siso@siso.dk)

Danske Bank  
Nytorv Branch  
Copenhagen  
SWIFT: DABADKKK

Account no.  
4180 3112 112936  
IBAN Account  
DK7230003112112936